

539.375: 622.35 (075.80)

. . , ” . . , . . (« »)
 ,
 “ ” ,
 : . , ,
 , , . ,
 ,
 . “ ”
 ,
 : , , ,
 , , . ,

Positive and negative moments which take place when using of different ways to split granite blocks are analyzed. The portable hydropiston aggregates for splitting granite blocks that are worked out in NTUU «KPI» are described.

Keywords: cracks formation, granite block, elasticity of the working fluid, drilling technology, energy losses.

. ,
 ,
 ; (); ;
 ;
 “ ” .
 (8 .)
 (. 1),
 [2].

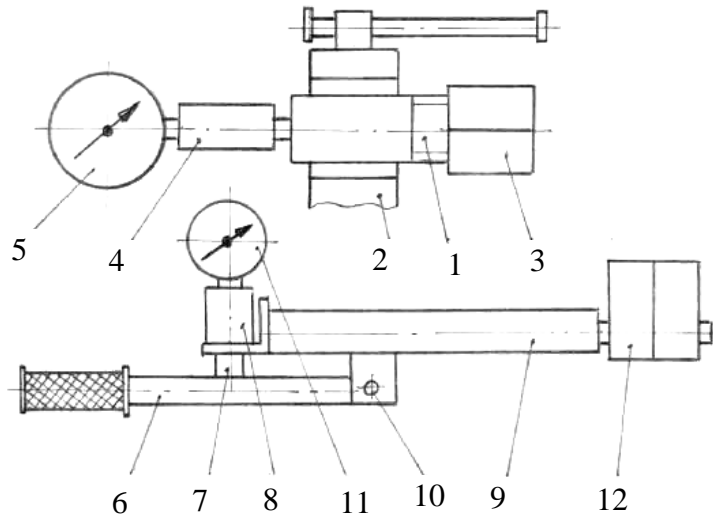


. 1.

	<p>1. [1].</p> <p>2.</p> <p>3.</p> <p>4. (“ ” ,).</p> <p>5.</p>	<p>1. . -</p> <p>2. . -</p>
	<p>1. .</p> <p>2. -</p> <p>3. -</p>	<p>1. .</p> <p>2. , .</p>
	<p>1. .</p> <p>2. ([1]).</p>	<p>1. .</p> <p>2. -</p>
	<p>1. .</p> <p>2. , .</p>	<p>1. .</p>
-	<p>1. .</p>	<p>1. -</p> <p>2. .</p> <p>3. -</p> <p>10...15 .</p>

40
30 / ,
160 , 28
300
100 .

(. 2).



. 2. : 1 - ; 2 - ; 3 -
; 4 - ; 5, 11 - ; 6, 9 - ; 7 - ; 8 -
; 10 - ; 12 -

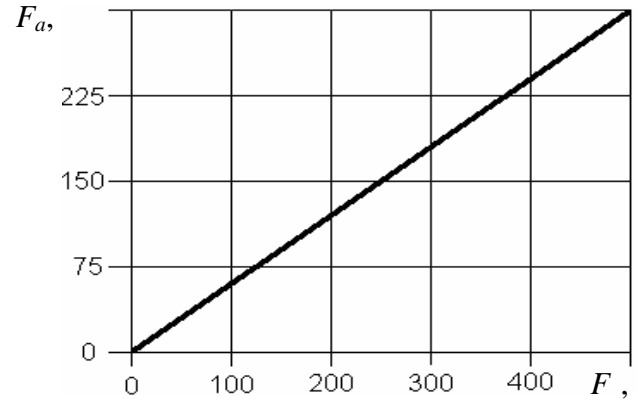
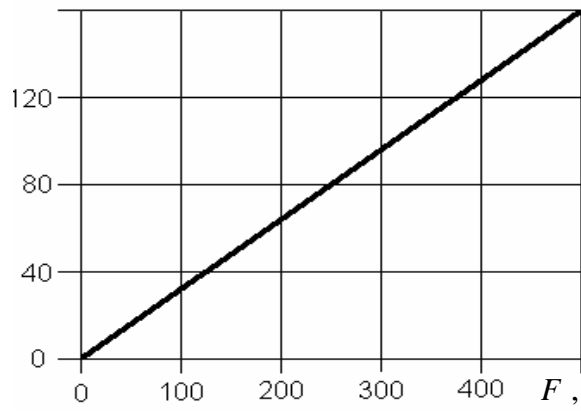
6-12

()

F P

F ,
(. 3).

F_a P F $P = f(F)$
0 300 0 160 0 400



. 3.

()
F

()

1. . .

. – . / . . . – ∴ -
, 1997. – 428 .

2. . . 1659649 , 21 37/08.

. . () . – 1583603; . 27.02.89; . 30.06.91, . 24.