

621. 311: 621. 317. 613: 621. 316. 935: 621. 316. 923. 5

–

• • , • • , • • « »'

: , – , . ,

: , – . ,

Algorithm to define the economic efficiency of introduction of short-circuit current limitation system under the scheme short-circuit current limitation means-operated shunt is suggested.

Key words: current limitation means, short circuit, economical efficiency, operated shunt.

() ,
() (–) [1],
(,) ,

() [2].

1. – ().

(),
 [3]:

$$\Delta W = \left(\frac{I}{I} \right)^2 \cdot \Delta$$

Δ – ; –
 2. :

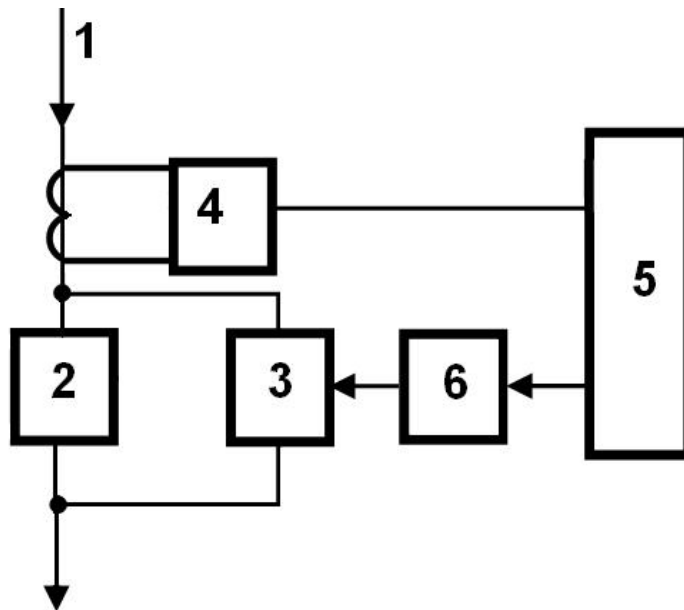
$$i_i = b \cdot \Delta W ,$$

b – , / .
 3.

, ()

$$\Delta W = \left(\frac{I}{I} \right)^2 \cdot \Delta Q$$

ΔQ – ; .



3. 1 2, 4,

, 5, 3. 6

4.

[4]

$$= Db\Delta W ,$$

$D -$, / .

5.
5.1.

$$= \sum_{i=1}^n ,$$

- , $i-$; -

5.2.

$$= \sum_{i=1}^n ,$$

. - $i-$
; $n-$, .

6.

$$= + + \Delta B - - \Delta ,$$

- ; -
() ; $\Delta -$; $\Delta B -$; -

$$\Delta B = h(\Delta W_a + \Delta W) ,$$

$h-$, , .
7.

, :

$$t = \frac{.}{\Sigma}$$

$E_{\Sigma} -$.

0,9 1 . 1200 . – 6 , –

, .

$$= . + . + \Delta .$$

– , « ».

1. . „ . „ . „ . .
- 18 . – . – . / “ ”. – .: 1999. – 26.07.99, 225 99 // .
- 10 (333), 1999.
2. . 51346 , 01F 38/00. / . . , . . , . . , . .
- . . – . 27.02.2002; . 15.11.2002, . 11. – 6 .
3. , . . 6–20 //
- . – 2000. – 7. – . 13 – 16.
- 4.

17.01.2002 . 43,
01.02.2002 . 93/6381. – ., 2002. – 50 .