

628.265.644.65

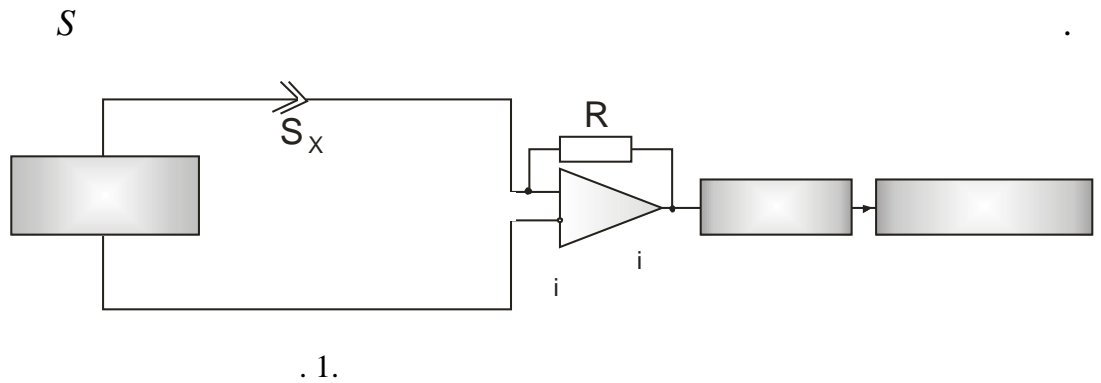
. . , , . . , . . („ ”)

mprometric, potentiometric, piezoelectric, conductometric biosensors on a fermental basis and on the basis of DNA-albuminous interactions for definition of formaldehyde have been developed. The development of nonselective biosensors on the basis of seaweed immobilized cells is perspective.

, -
 -
 -
 , , , , , .
 , 0,012 / ³.
 , 0,011 / ³.
 , , , .
 1982
 -
 , -0,05 / , -0,035
 / ³. 35 %- 10...50 .
 , .
 , .

.
 ,
 ,
 ,
 .
 , , ,
 .
 ,
 , [1-3].
 pH,
 ,
 . [1-5]. ,
 Hansenula polymorpha ~8,3.
 ,
 ~8,9 [5].
 ,
 .
 , .
 , .
 ,
 .
 , $R_1 = R_2$, [4].
 ,
 ,
 -
 R_m -
 0,5...1 %.
 ,
 , [4].
 ,
 .
 ,
 ,
 .

(. 1),



.1.

.2.

100
()

3-118 ()
10

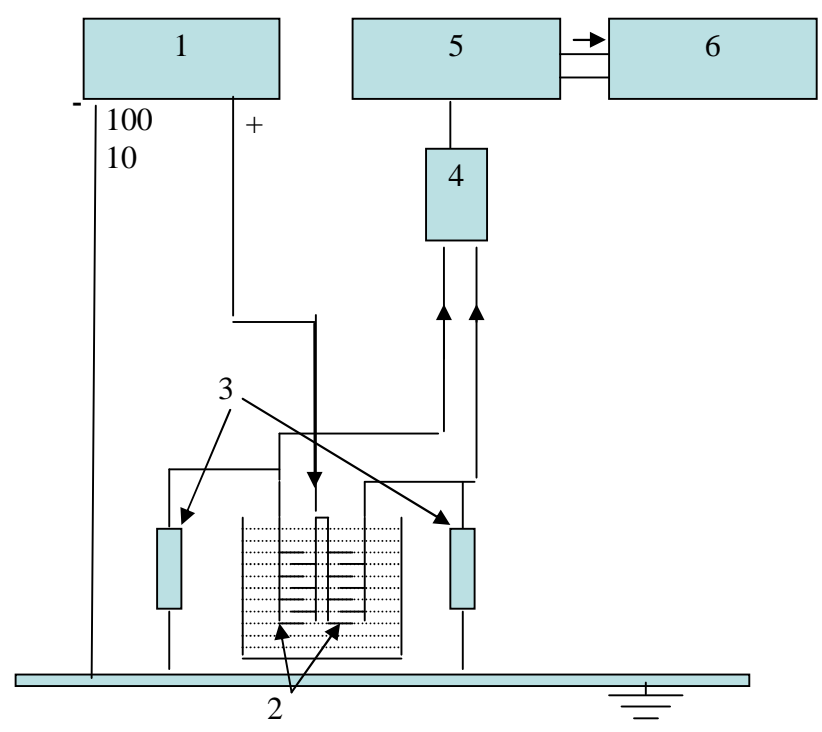
$$R = 1$$

Unipan-233-6 ()

Unipan-233, -

[1].

[4-6].



.2-
;4-

;5-

:1-

;2-

;3-

;6-

- 8,9, (20 °) 2 10 .
, , –
.
(. . 2),
, , ())
.
1. . . , . . , . . .
// . – 1996. – . 68, 1. – . 26–31.
2. *Chin W. T., Kroontje W.* Conductivity method for determination of urea // *Anal. Chem.* – 1961. – 33, 12. – P. 1757–1760.
3. . . , // . . . – 2007. – . 79, 4. – . 102–109.
4. . . // . . . – 2004, 4. – . 94–112.
5. . . // . . . – 2004, 4. – C. 138–142.
6. *Watson L. D., Maynard P. et al.* A microelectronic conductometric biosensor // *Biosensors.* – 1987/1988, 3. – P. 101–115.